

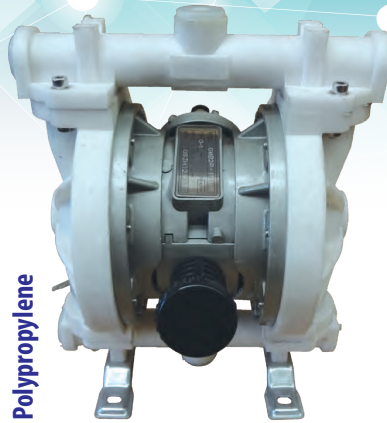
# Tideway

## PNEUMATIC DIAPHRAGM PUMP

( GMB-15 1/2" )



Aluminum

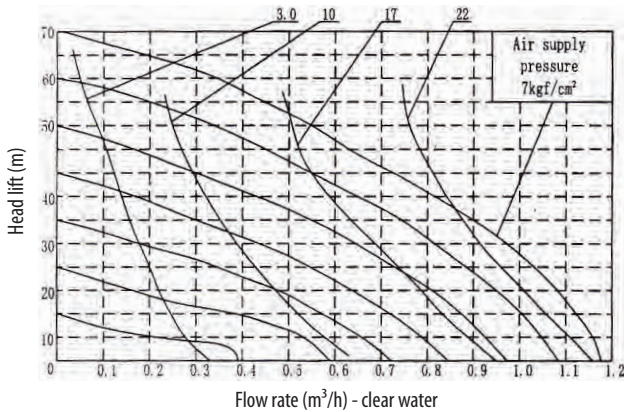


Polypropylene

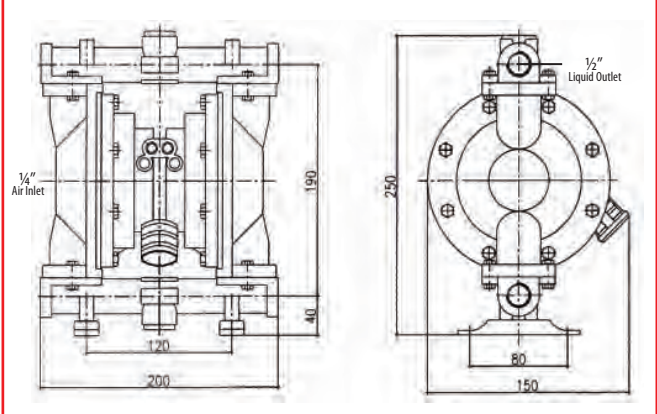


Stainless Steel

### Air Consumption (m<sup>3</sup>/h)



### Installation Dimension



### Technical Parameters

Max. Flow Rate	0 - 1.2 m <sup>3</sup> /h	
Max. Lift head	0 - 70 m	
Outlet pressure	0 - 7 kgf/cm <sup>2</sup>	
Suction lift	0 - 5 m	
Allowable diameter of grains passing	0 - 1 mm	
Air supply pressure	0 - 7 kgf/cm <sup>2</sup>	
Air consumption	0 - 300 L/min	
Inlet	1/4 inch	
Outlet	1/4 inch	
Net weight	Polypropylene - 2.5 kg	
	Aluminum - 3.2 kg	
	Stainless Steel - 5.5 kg	
Gross weight	Carton packaging, plus : 1.0 kg	
881218013A - GMB2P-15TFF	881218014A - GMB2A-15TFF	881218015A - GMB2S-15TFF

\*\*\* Product's specification subject to change without further notice.  
 \*\*\* Actual product may slightly differ from pictures shown.

ESM411 - GMB15  
 (27/07/19)